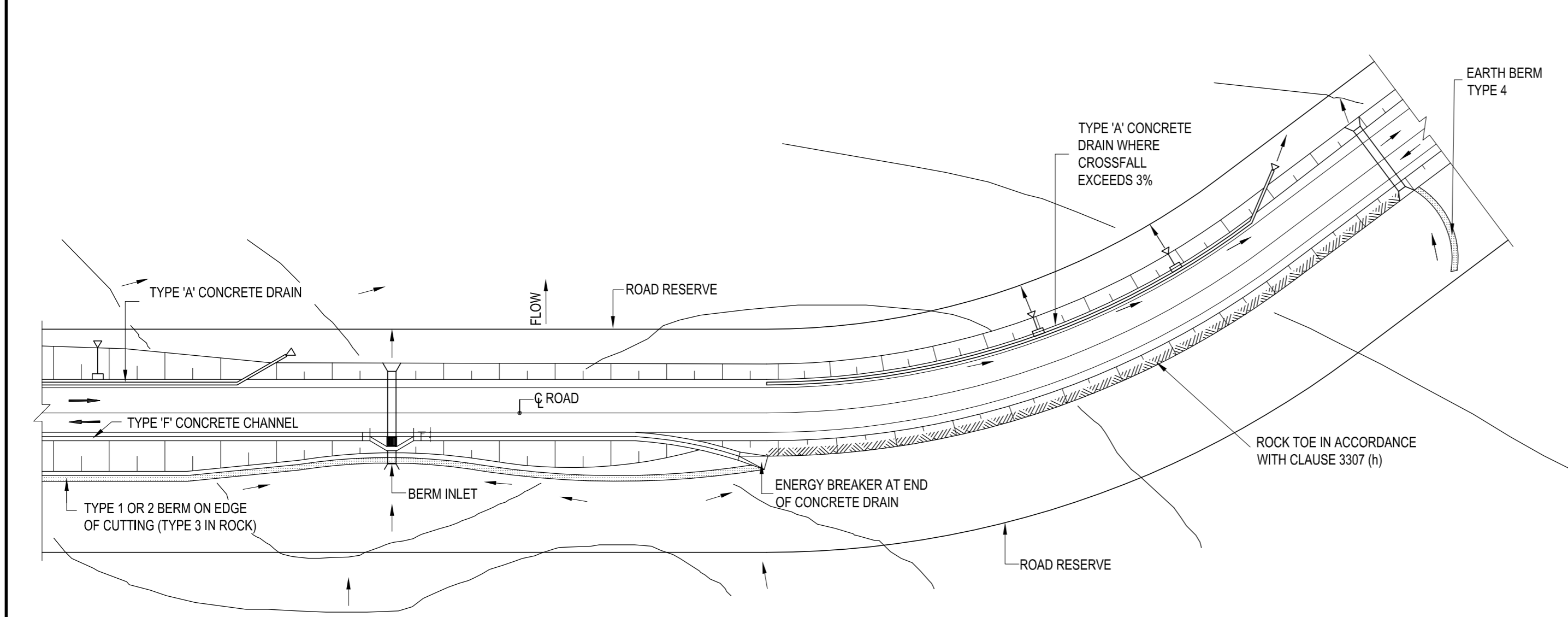


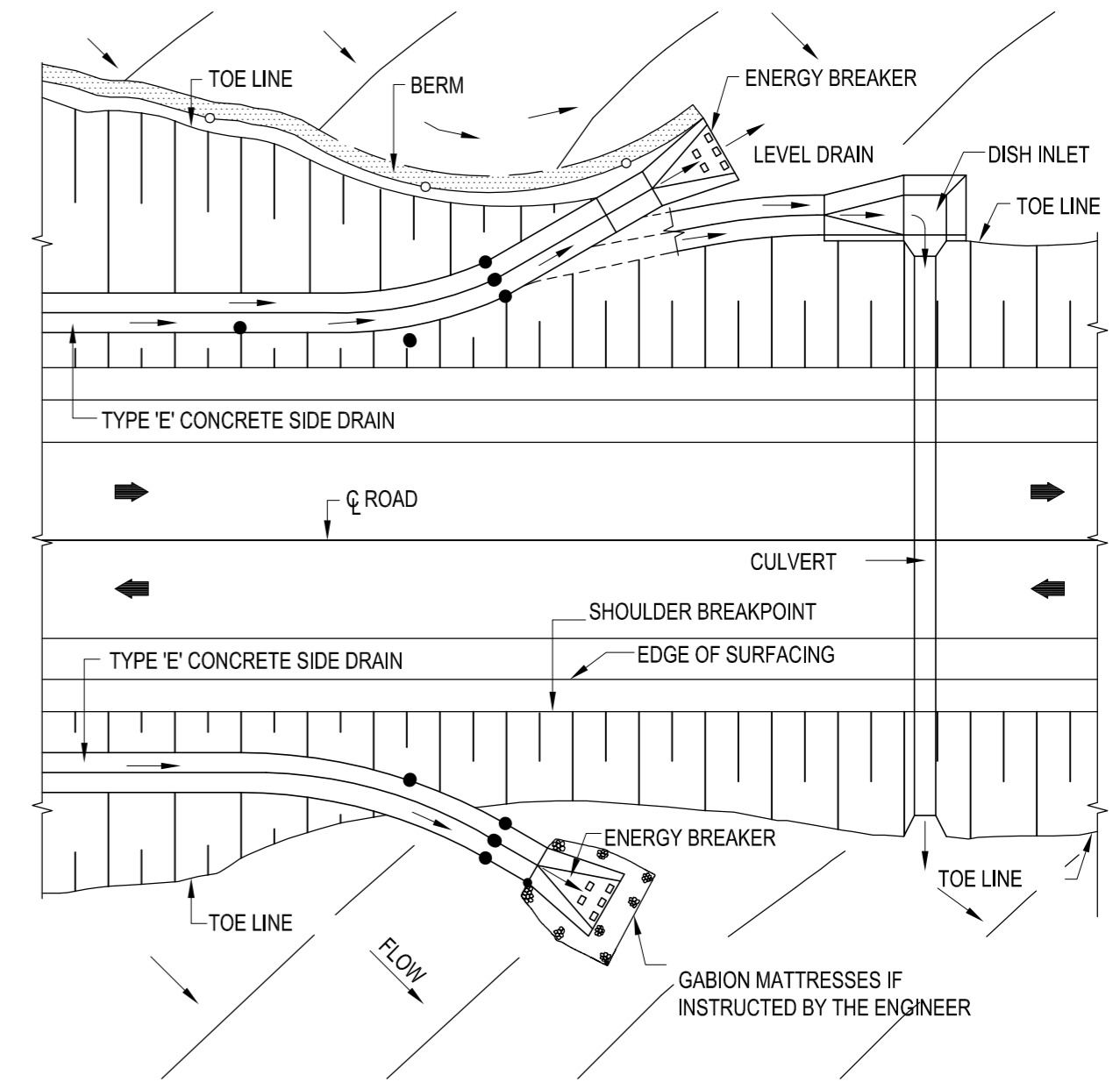
**SCHEMATIC COMPOSITION OF DRAINAGE ELEMENTS**

SCALE : SCHEMATIC



**SCHEMATIC COMPOSITION OF DRAINAGE ELEMENTS**

SCALE : SCHEMATIC



**ARRANGEMENT OF ENERGY BREAKERS AND DISH INLETS**

SCALE : SCHEMATIC

**FOR LATEST VERSION CHECK [www.nra.co.za](http://www.nra.co.za)**

No.	DATE	VERSION / REVISION	APPROVED
V1		ORIGINAL VERSION	

**SANRAL TYPICAL DRAWINGS**

**COPYRIGHT:** THIS DRAWING IS PROTECTED IN TERMS OF THE COPYRIGHT ACT No. 98 OF 1978 AND MAY NOT BE REPRODUCED WITHOUT PERMISSION IN WRITING FROM SANRAL.

**CONDITIONS FOR USE:** CONSULTANTS APPOINTED BY SANRAL SHALL INCORPORATE THE TYPICAL DETAILS HEREON INTO THEIR SPECIFIC DESIGN FOR WHICH THEY WILL ASSUME FULL PROFESSIONAL RESPONSIBILITY. THIS TYPICAL DRAWING MAY NOT BE USED FOR TENDER PURPOSES.



**HEAD OFFICE**  
 Disela Place  
 1024 Park Street  
 Hatfield, Pretoria  
 0083  
 PO Box 415  
 Pretoria 0001  
 South Africa  
 Tel: (012) 426 6000

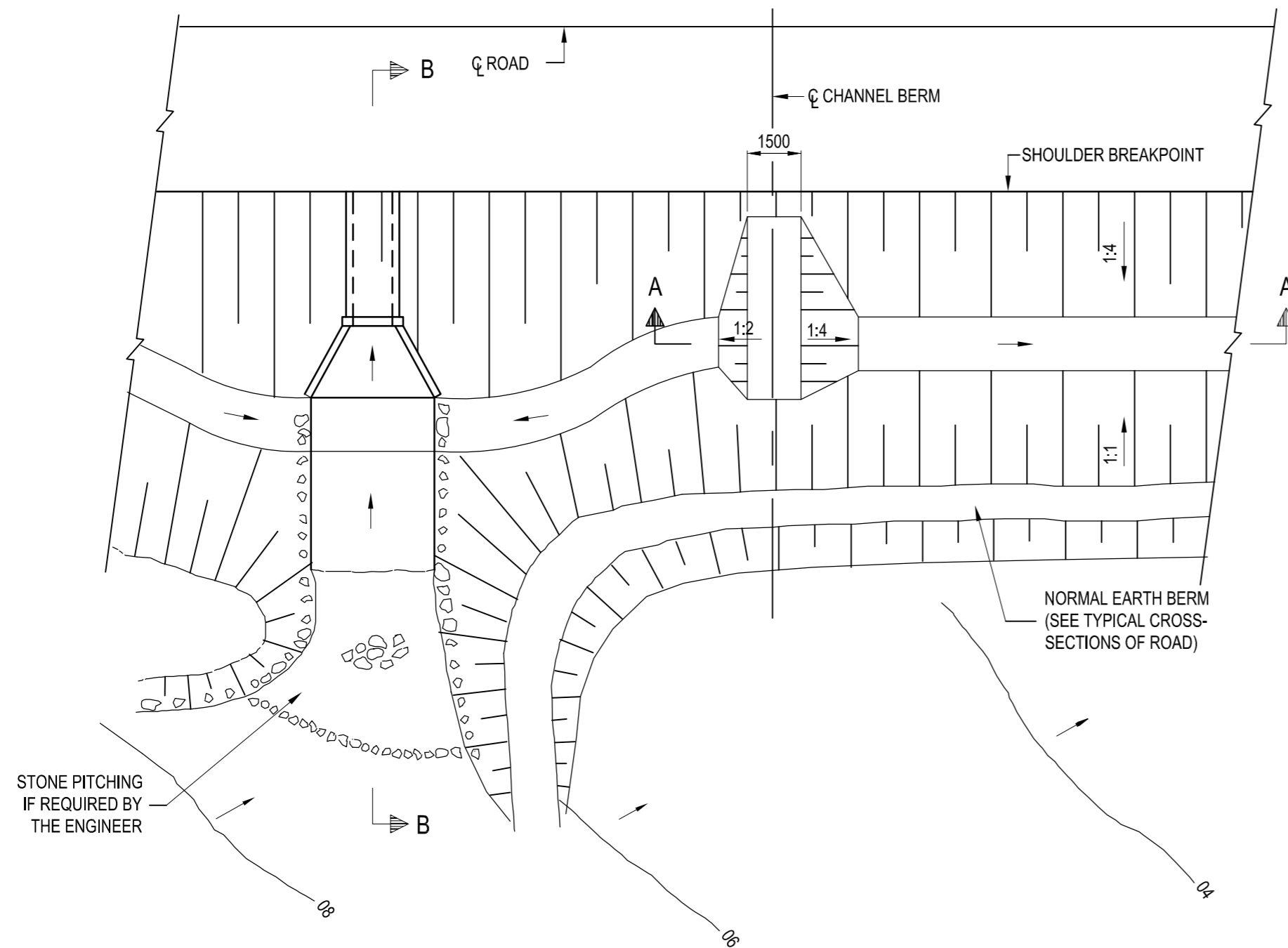
*[Signature]*  
 APPROVED  
 DATE: 18 February 2009

**TYPICAL DRAWINGS - DRAINAGE**

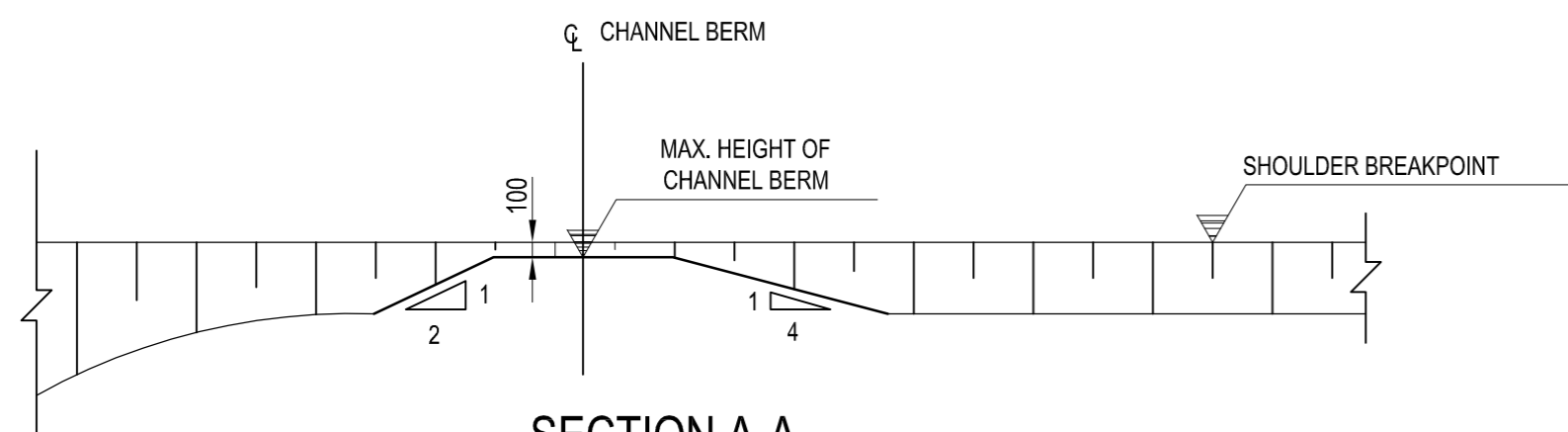
**ROAD RESERVE FINISHING**

**SHEET 1 OF 2**

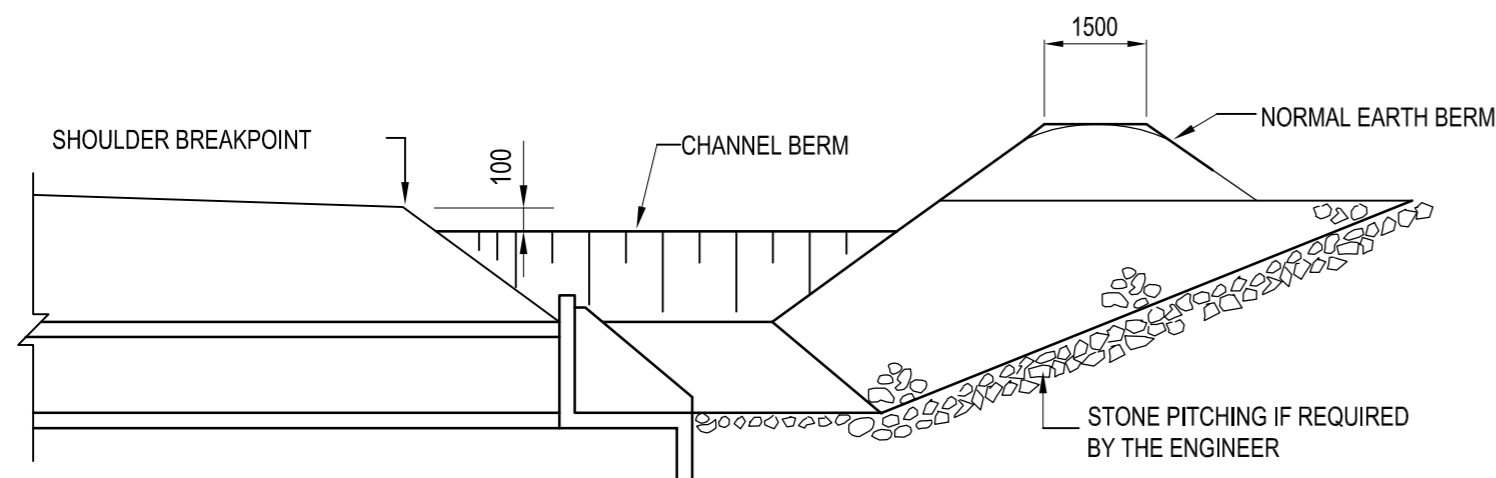
SANRAL DOC. No. (PDF)	<b>180805</b>
SANRAL DOC. No. (DWG)	<b>180806</b>
SANRAL DRAWING No.	<b>TD-D-RF-001-V1</b>



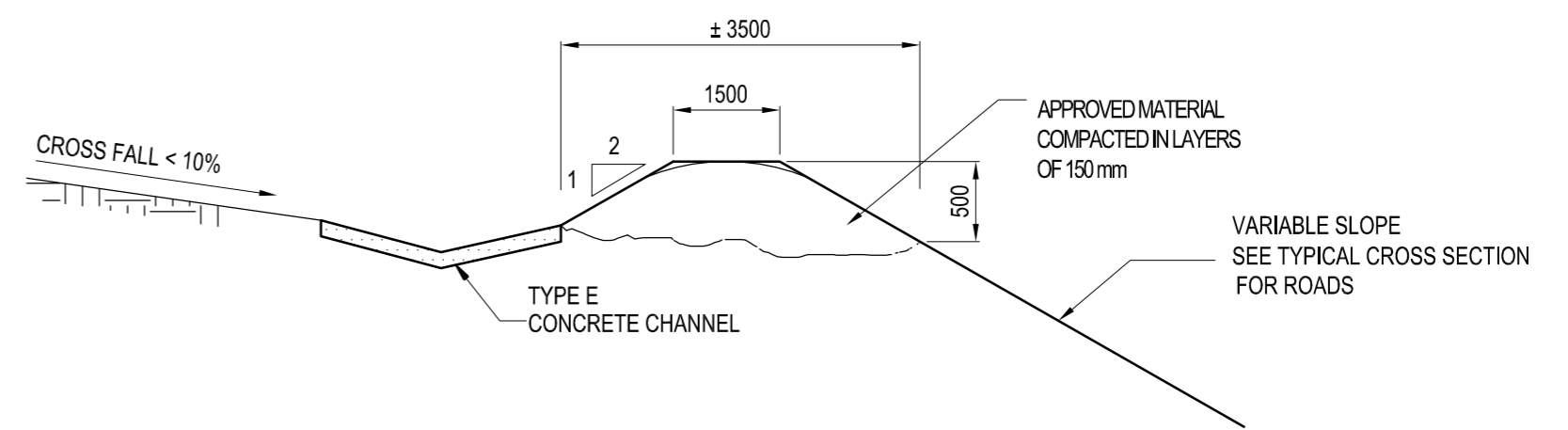
**PLAN OF CHANNEL BERM**  
N.T.S.



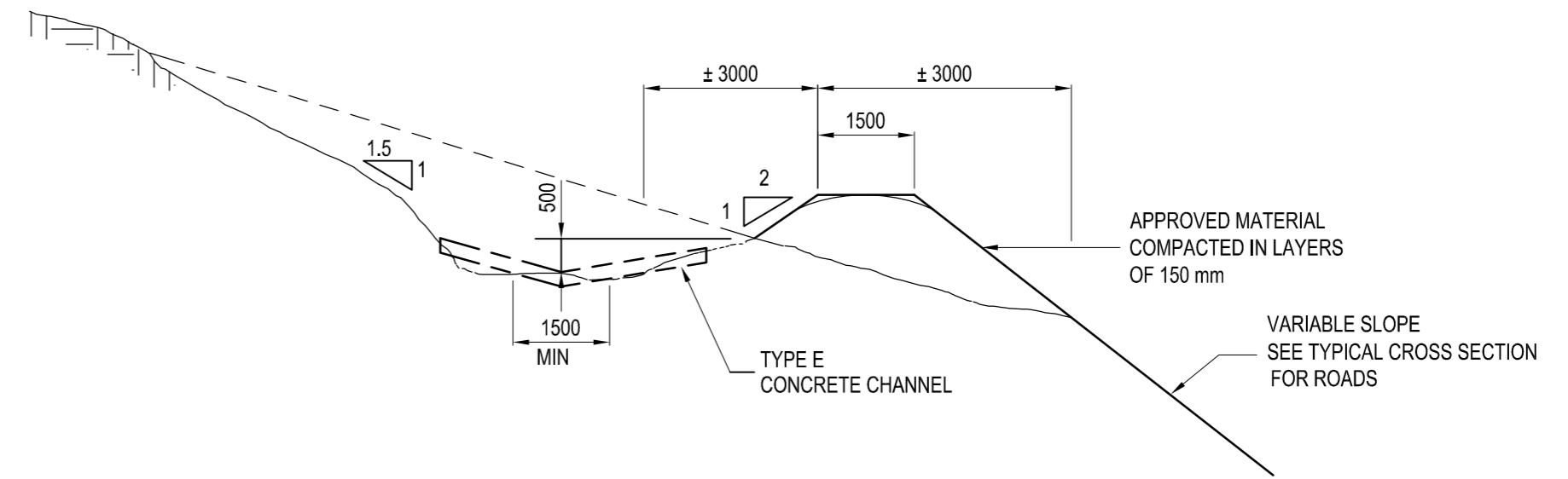
**SECTION A-A**  
N.T.S.



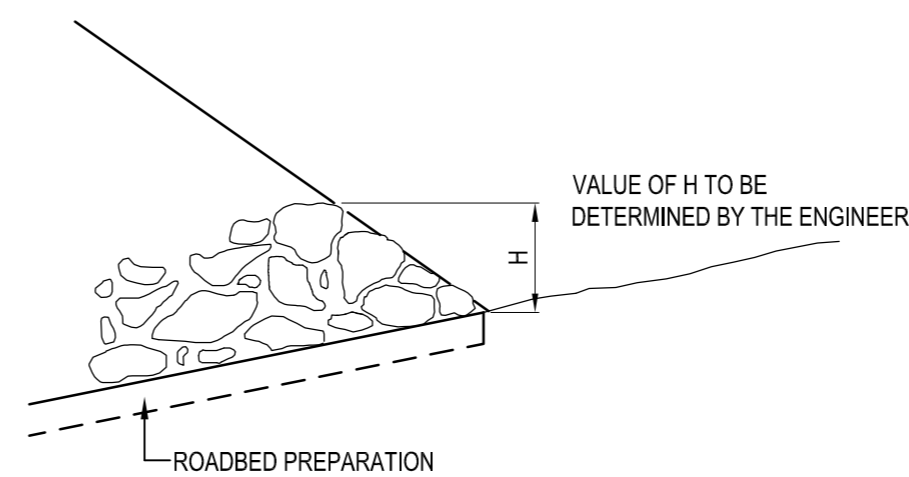
**SECTION B-B**  
N.T.S.



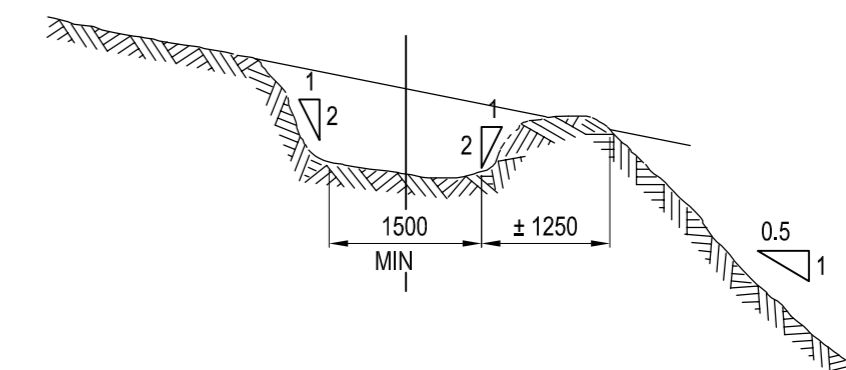
**TYPE 1 BERM**  
CUTTING IN SOFT MATERIAL WITH FLAT CROSS FALL  
N.T.S.



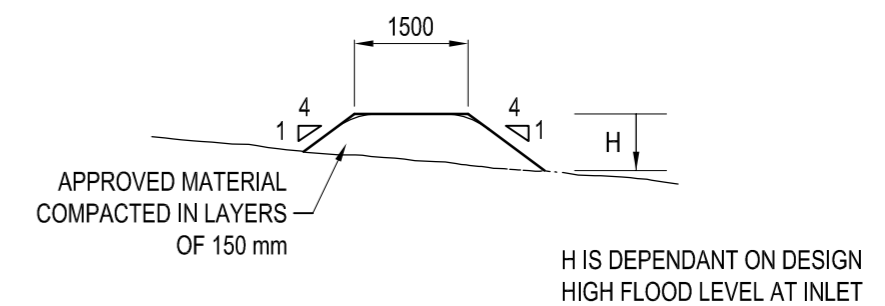
**TYPE 2 BERM**  
CUTTING IN SOFT MATERIAL WITH STEEP CROSS FALL  
N.T.S.



**ROCK TOE**  
N.T.S.



**TYPE 3**  
CUTTING IN ROCK MATERIAL  
N.T.S.



**TYPE 4 BERM**  
EARTH BERM AT CULVERT INLET AND OUTLET  
N.T.S.

FOR LATEST VERSION CHECK [www.nra.co.za](http://www.nra.co.za)

**SANRAL TYPICAL DRAWINGS**

**COPYRIGHT:** THIS DRAWING IS PROTECTED IN TERMS OF THE COPYRIGHT ACT No. 98 OF 1978 AND MAY NOT BE REPRODUCED WITHOUT PERMISSION IN WRITING FROM SANRAL.  
**CONDITIONS FOR USE:** CONSULTANTS APPOINTED BY SANRAL SHALL INCORPORATE THE TYPICAL DETAILS HEREON INTO THEIR SPECIFIC DESIGN FOR WHICH THEY WILL ASSUME FULL PROFESSIONAL RESPONSIBILITY. THIS TYPICAL DRAWING MAY NOT BE USED FOR TENDER PURPOSES.



**HEAD OFFICE**  
Disela Place  
1024 Park Street  
Halfway Pretoria  
0083  
PO Box 415  
Pretoria 0001  
South Africa  
Tel: (012) 426 6000

APPROVED

DATE: 18 February 2009

**TYPICAL DRAWINGS - DRAINAGE**

**ROAD RESERVE FINISHING**  
**SHEET 2 OF 2**

SANRAL DOC. No. (PDF)  
**180807**  
SANRAL DOC. No. (DWG)  
**180808**  
SANRAL DRAWING No.  
**TD-D-RF-002-V1**

No.	DATE	VERSION / REVISION	APPROVED
V1		ORIGINAL VERSION	