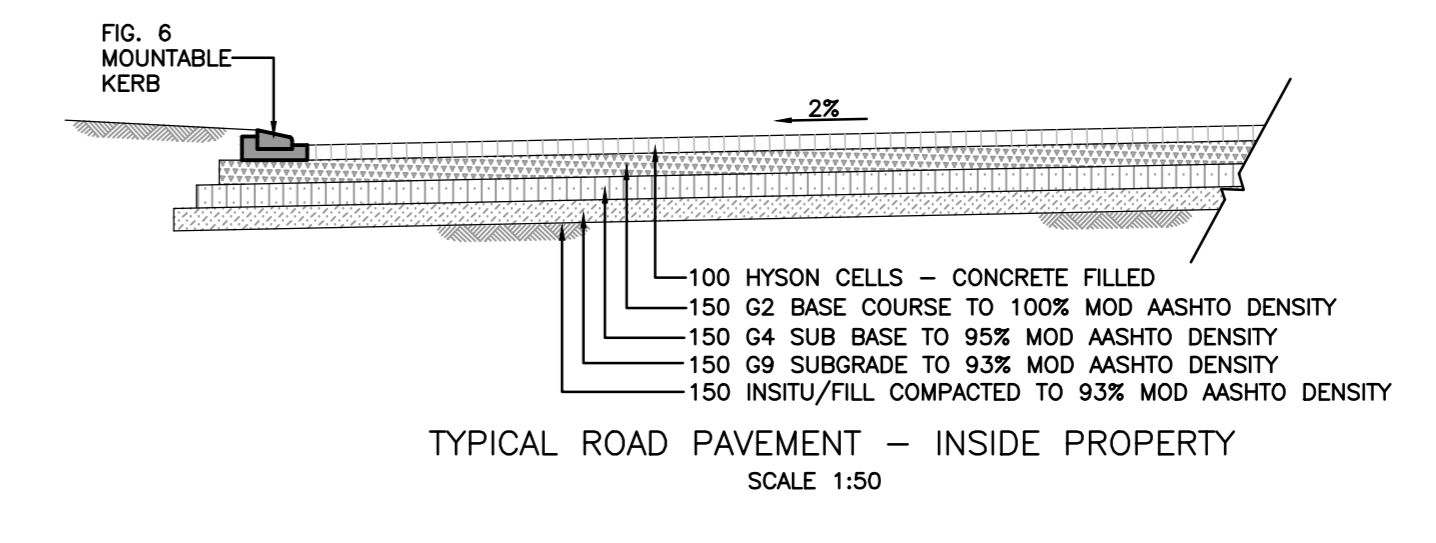
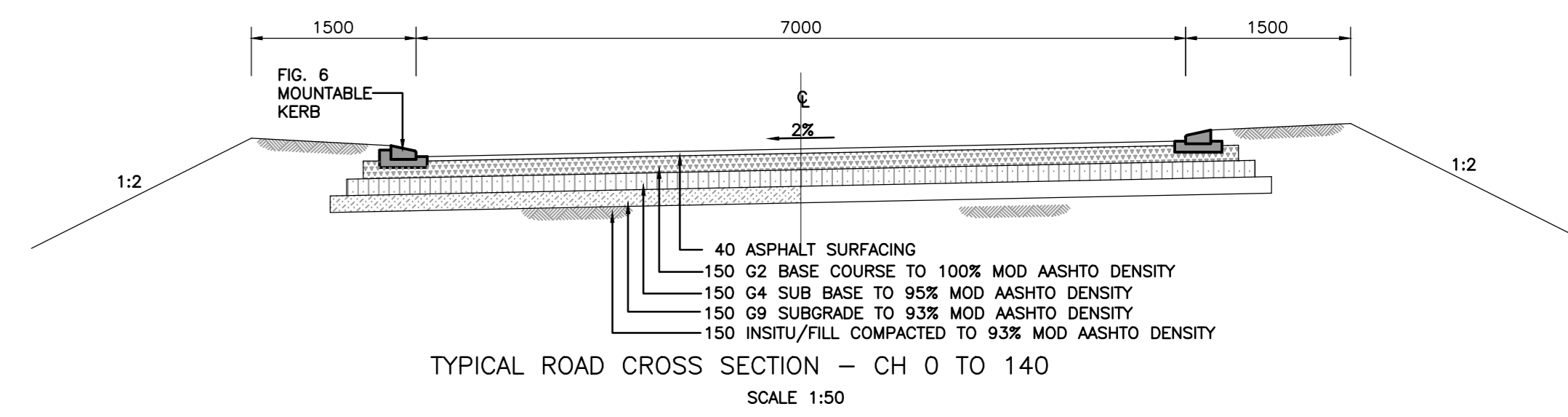
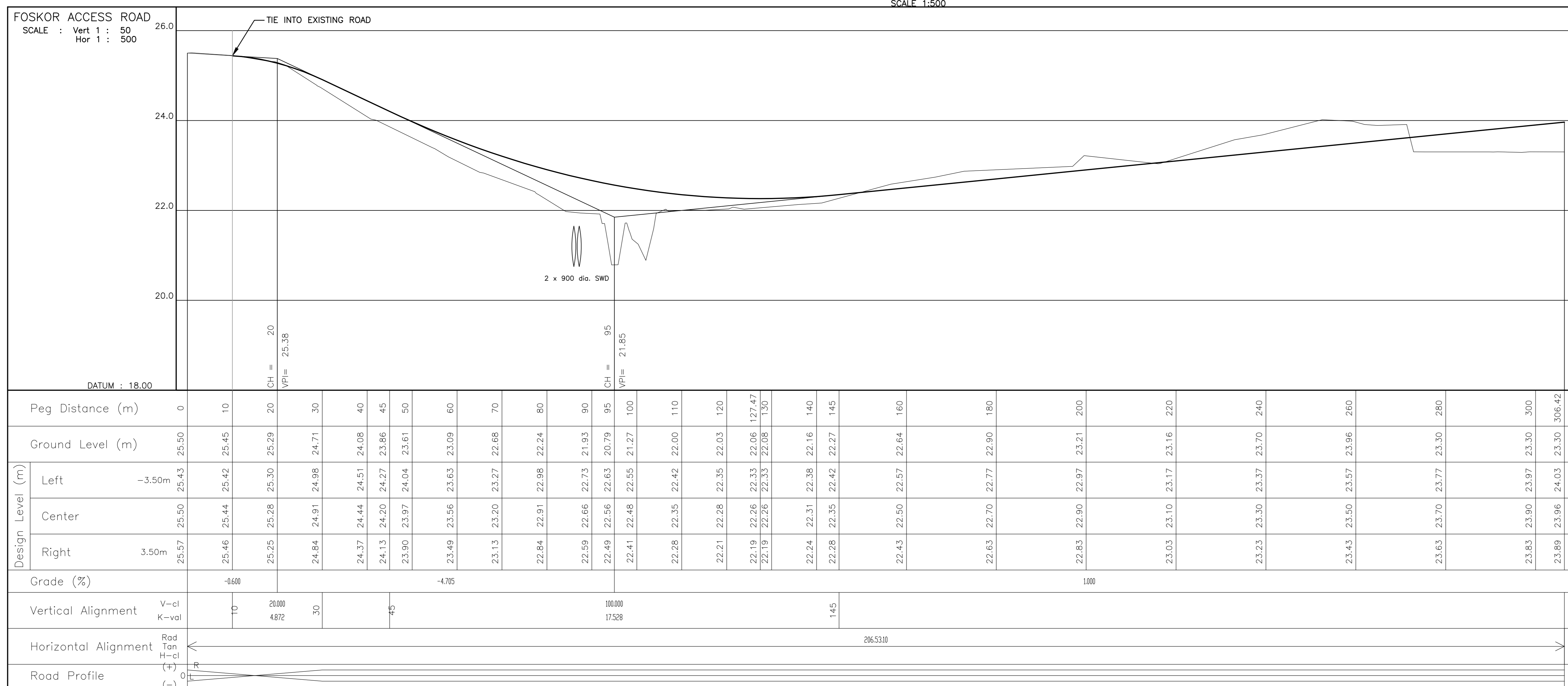


APPROVALS				
NO.	DEPARTMENT	SECTION	DATE	APPROVED BY
1	CITY DEVELOPMENT	LAND USE MANAGEMENT	10/07/12	M. VAN BODDEN
2	CITY DEVELOPMENT	BUILDING CONTROL	10/07/12	S. JOHANNES
3	TRANSPORT ROADS AND HIGHWAYS	ROADS & HIGHWAYS	10/07/12	A. SCHUTTE
4	TRANSPORT ROADS AND HIGHWAYS	ROADS & HIGHWAYS	10/07/12	A. SCHUTTE
5	TRANSPORT ROADS AND HIGHWAYS	ROADS & HIGHWAYS	10/07/12	A. SCHUTTE
6	TRANSPORT ROADS AND HIGHWAYS	ROADS & HIGHWAYS	10/07/12	A. SCHUTTE
7	TRANSPORT ROADS AND HIGHWAYS	ROADS & HIGHWAYS	10/07/12	A. SCHUTTE
8	TRANSPORT ROADS AND HIGHWAYS	ROADS & HIGHWAYS	10/07/12	A. SCHUTTE
9	TRANSPORT ROADS AND HIGHWAYS	ROADS & HIGHWAYS	10/07/12	A. SCHUTTE
10	TRANSPORT ROADS AND HIGHWAYS	ROADS & HIGHWAYS	10/07/12	A. SCHUTTE
11	TRANSPORT ROADS AND HIGHWAYS	ROADS & HIGHWAYS	10/07/12	A. SCHUTTE
12	TRANSPORT ROADS AND HIGHWAYS	ROADS & HIGHWAYS	10/07/12	A. SCHUTTE
13	TRANSPORT ROADS AND HIGHWAYS	ROADS & HIGHWAYS	10/07/12	A. SCHUTTE
14	TRANSPORT ROADS AND HIGHWAYS	ROADS & HIGHWAYS	10/07/12	A. SCHUTTE
15	TRANSPORT ROADS AND HIGHWAYS	ROADS & HIGHWAYS	10/07/12	A. SCHUTTE
16	TRANSPORT ROADS AND HIGHWAYS	ROADS & HIGHWAYS	10/07/12	A. SCHUTTE
17	TRANSPORT ROADS AND HIGHWAYS	ROADS & HIGHWAYS	10/07/12	A. SCHUTTE
18	TRANSPORT ROADS AND HIGHWAYS	ROADS & HIGHWAYS	10/07/12	A. SCHUTTE
19	TRANSPORT ROADS AND HIGHWAYS	ROADS & HIGHWAYS	10/07/12	A. SCHUTTE
20	TRANSPORT ROADS AND HIGHWAYS	ROADS & HIGHWAYS	10/07/12	A. SCHUTTE
21	TRANSPORT ROADS AND HIGHWAYS	ROADS & HIGHWAYS	10/07/12	A. SCHUTTE
22	TRANSPORT ROADS AND HIGHWAYS	ROADS & HIGHWAYS	10/07/12	A. SCHUTTE
23	TRANSPORT ROADS AND HIGHWAYS	ROADS & HIGHWAYS	10/07/12	A. SCHUTTE
24	TRANSPORT ROADS AND HIGHWAYS	ROADS & HIGHWAYS	10/07/12	A. SCHUTTE
25	TRANSPORT ROADS AND HIGHWAYS	ROADS & HIGHWAYS	10/07/12	A. SCHUTTE
26	TRANSPORT ROADS AND HIGHWAYS	ROADS & HIGHWAYS	10/07/12	A. SCHUTTE
27	TRANSPORT ROADS AND HIGHWAYS	ROADS & HIGHWAYS	10/07/12	A. SCHUTTE
28	TRANSPORT ROADS AND HIGHWAYS	ROADS & HIGHWAYS	10/07/12	A. SCHUTTE



ACCESS ROAD SETTING OUT DATA WGS 84 (LG 31)

POINT	Y	X	ELEVATION
R1-START	-100644.815	3184700.205	
R1-END	-100788.590	3184428.799	23.85
A	-100712.117	3184456.455	23.50
B	-100718.965	3184494.378	23.50
C	-100785.503	3184381.333	23.89
D	-100777.595	3184379.162	23.90
E	-100785.615	3184381.333	23.89
F	-100778.162	3184411.656	23.50

BOSCH PROJECTS
GLOBAL ENGINEERING SOLUTIONS

1 HOLLYWOOD PARK
5 CANEVALE ROAD
LA LUCIA RIDGE OFFICE ESTATE
DURBAN, SOUTH AFRICA, 4200

TEL: +27 (0)31 535 6000
FAX: +27 (0)31 535 6010
e-mail: mail@boschprojects.co.za
website: www.boschprojects.co.za

COPYRIGHT AND USE OF THIS DRAWING IS RESERVED BY BOSCH PROJECTS

DESIGNED	BNG	DRAWN	ROCH
CHECKED	N/A	PROCESS ENGINEER	N/A
CIVIL ENGINEER	BNG	STRUCTURAL ENGINEER	N/A
INSTRUMENT ENGINEER	N/A	ELECTRICAL ENGINEER	N/A
MECHANICAL ENGINEER	N/A	CO-ORDINATION ENGINEER	N/A
APPROVED	CPK	PROJECT MANAGER	N/A
		DRAWING OFFICE MANAGER	

ALL DIMENSIONS ARE IN mm UNLESS OTHERWISE NOTED

IF IN DOUBT ASK DO NOT SCALE FROM THE DRAWING

REV	FOR MUNICIPAL APPROVAL	BNG	CHK	ENG	REFERENCE DRAWINGS	DWG No.
0						
1						
2						
3						
4						
5						
6						
7						
8						
9						
10						

APPROVAL

PROJECT MANAGER	NAME	SIGNATURE	DATE
ENGINEER			
ENGINEERING MAN			
PR. ENGINEER			
REGISTRATION No			

COPYRIGHT: THIS DRAWING IS THE PROPERTY OF FOSKOR PTY LTD. THIS PRINT SHALL NOT BE COPIED OR USED WHOLLY OR IN PART WITHOUT PRIOR CONSENT OF THE COMPANY

SCALE 1:500

PLANT FOSKOR RICHARDS BAY DISCIPLINE

PROPOSED ACCESS ROAD & LONGSECTION

VENDOR DWG No. 1457-002-5400-ROAD SHEET OF

FOSKOR DRAWING No. REV 0