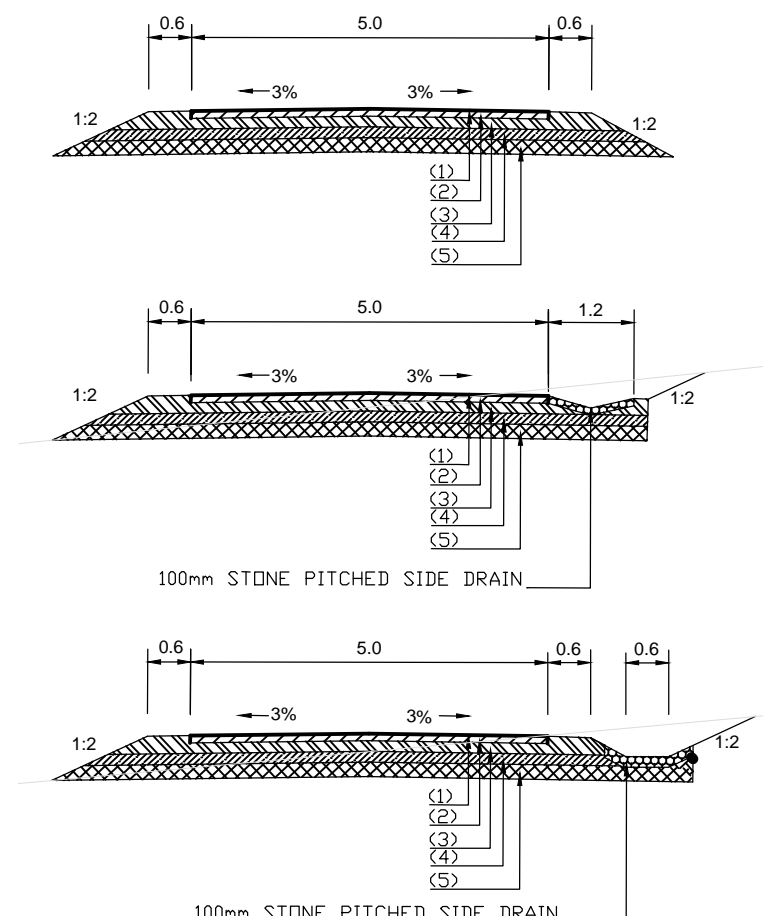


TYPICAL ROAD CROSS SECTION FOR 3.5m WIDE ROADS

SCALE 1:100



TYPICAL ROAD CROSS SECTION FOR 5.0m WIDE ROADS

SCALE 1:100

PAVEMENT DESIGN		
1	13mm CAPE SEAL SURFACING	
2	100mm EMULSION TREATED BASE (ETB) COMPACTED TO 98% MOD. AASHTO DENSITY	
3	150mm G6 COMPACTED TO 95% MOD. AASHTO DENSITY	
4	150mm G7 COMPACTED TO 93% MOD. AASHTO DENSITY	
5	200mm RIP AND RECOMPACT TO 93% MOD. AASHTO DENSITY	

NOTE:

- (1) DEPENDING ON THE EXISTING GROUND LAYER (4) IS NOT NEEDED.
- (2) 50mm TOPSOIL SPREAD ON ALL DISTURBED AREAS AND BATTERS.

No.	DATE	REVISION	CONSULT. ENG.
V1	26/07/2012	ORIGINAL VERSION	M. SICWEBU



EAST LONDON OFFICE
 9 Pearce Street
 Berea
 East London
 5241
 PO Box 19844
 Tecoma 2514
 South Africa
 Tel: (043 706 3600

DESIGNED BY	
NAME	M. SICWEBU
Prof. Reg. No.	XXXXXXXXXX
CHECKED BY	
NAME	D. DEWEY
Prof. Reg. No.	XXXXXXXXXX

CONSULTANT APPROVAL
 Name: S.C. SCHROEDER
 Prof. Reg. No.: 187091
 Date: 26-07-2012
 THE ABOVE SIGNATORY CERTIFIES THAT THE DESIGNER AND CHECKER HAVE CONSENTED TO THEIR NAMES BEING INSERTED ON THIS DRAWING AND THAT THEY HAVE BEEN AND APPROVED THE DRAWING.

HEAD OFFICE
 Ditsela Place
 1204 Park Street
 Hatfield Pretoria
 0083
 PO Box 415
 Pretoria 0001
 South Africa
 Tel: (012) 426 6000



SOUTHERN REGION
 NRA House
 Southern Life Gardens
 70 2nd Avenue
 Newton Park
 Port Elizabeth
 6045
 PO Box 27230
 Greenacres
 6057
 Tel: (041) 398 3200

ACCEPTANCE
 THIS ACCEPTANCE IS FOR PROCEDURAL AND ADMINISTRATIVE REVIEW PURPOSES ONLY AND DOES NOT ATTRACT LEGAL LIABILITY OR LIABILITY OF ANY KIND FROM WHATSOEVER CAUSE OR HOWEVER ARISING
 for CEO: SA NATIONAL ROADS AGENCY LTD.
 Date:

PROJECT DESCRIPTION	
CONSTRUCTION MANAGEMENT AND TRAINING SERVICES FOR THE CONSTRUCTION OF SURFACED COMMUNITY ACCESS ROADS AND WALKWAYS USING LABOUR INTENSIVE CONSTRUCTION, ALONG NATIONAL ROUTE N2 SECTION 17 FROM KM 8.5 TO SECTION 18 KM 24.2	
DESCRIPTION	
CROSS SECTIONS	

PROJECT NUMBER		NRA.C003-010-2013/1	
DRAWING LOCATION DATA		START	END
ROUTE	N02	N02	
SECTION	17	18	
DRAWING km DISTANCE	8.500	24.200	
DRAWING TYPE	TYPICAL CROSS SECTIONS		
BRIDGE/STRUCTURE No.	N/A		
CONSULTANT DRAWING No.	XX		
SANRAL DOC #			